



INSTALLATION GUIDE

STUDIO 55 SoundBar
STUDIO 46 SoundBar
STUDIO 39 SoundBar

STUDIO55-SB
STUDIO46-SB
STUDIO39-SB

CARTON CONTENTS:

- 1. STUDIO SoundBar Speaker
- 2. Television Mounting Brackets (TMB)
 - (24" for STUDIO39-SB & STUDIO46-SB; 29" for STUDIO55-SB)
- 2. Long Extension Plates
- 2. Short Extension Plates
- 1. Hardware Accessory Kit
 - 1. 3mm Allen Wrench
 - 8. Bracket to Bracket (B to B) Screws, M5 x 10 mm, Stainless Steel
 - 4. Machine Screw, M4 x 11.5 mm
 - 4. Machine Screw, M5 x 11.5 mm
 - 4. Machine Screw, M6 x 11.5 mm
 - 4. Machine Screw, M8 x 11.5 mm
 - 4. Machine Screw, M10 x 11.5 mm
 - 4. Flat Washer; 25 mm OD, 10 mm ID
 - 4. Flat Washer; 25 mm OD, 5 mm ID
- 2. White Gloves
- 1. Installation Guide

If you are missing any of these parts or if you need assistance during the installation of your Artison Studio SoundBar, please contact Artison's Customer Service Department during normal business hours, Pacific Time at (775) 783-4770

Thank you for choosing the Artison STUDIO SoundBar Speaker. We are pleased that you have selected our high-performance audio product. The following information will guide you through the installation of your Artison STUDIO SoundBar Speaker.

INTRODUCTION

Artison STUDIO SoundBars are designed to attach directly to any Flat Panel TV (FPTV) with the included hardware, brackets, and come with custom made grilles. Studio SoundBars contain a Center Channel, Left Channel, and Right Channel; all housed in one aluminum enclosure. All 3 speakers have independent air chambers and crossovers. This creates one TOTAL INVOLVEMENT EXPERIENCE™.

The STUDIO SoundBar attaches to any FPTV using the VESA mounting points on the rear surface. Using the Thin UMB, the LCR DM speakers can be attached to any FPTV in a table top application or a wall-mount application in conjunction with a FPTV wall-mount bracket.

G ST Grilles are available customized to the width and bezel color of any FPTV. Artison maintains a database of popular FPTV's and can match the exact width of any set. Any Artison Dealer can order a custom made grille for your FPTV.

G ST Grilles used with Studio 39 are compatible with any FPTV that is 38.0" inches wide tall or larger. G ST Grilles used with Studio 46 are compatible with any FPTV that is 45.4" inches wide tall or larger. G ST Grilles used with Studio 55 are compatible with any FPTV that is 54.1" inches wide tall or larger.

All STUDIO models are compatible with displays that are 25.4 mm – 200 mm, (1.0" – 3.6") in depth.

INSTALLATION OPTIONS

The Artison STUDIO SoundBar Speakers were designed to have multiple installation options using the included hardware and brackets.

- Attachment to any Flat Panel TV (FPTV) in a Tablestand or Wall Mounted installation.
- On-Wall/Surface Mounting.

Please read the instructions below before attempting your installation.

INSTALLATION PROCEDURES

The Television Mounting Brackets were designed in compliance with the VESA Mounting Standards. When using a third party FPTV wall-mount, the Television Mounting Brackets are placed between the FPTV chassis and the FPTV wall-mount. In cases where the display utilizes a table top stand, the Television Mounting Brackets can be attached directly to the FPTV's chassis.

REMOVAL OF FPTV CURRENTLY INSTALLED

1. If your FPTV is currently wall mounted, disconnect any wiring connections and remove the FPTV from the wall mount. **NOTE: This step may require two people.**
2. Place FPTV in safe location, display side down on a soft non-abrasive surface.
3. Remove any existing mounting brackets and screws from the VESA mounting points on the rear of the FPTV.

TELEVISION MOUNTING BRACKET PLACEMENT

4. Position one Television Mounting Brackets across the left mounting points, one Thin UMB across the right set of mounting points.

Align the flat inner return of the Television Mounting Brackets to extend beyond the FPTV bezel by 1/8", 1/4" if your FPTV is thicker than 1.8". This will leave the required space for the grille to fit between the FPTV and speaker cabinet, see **FIGURE 1**.

NOTE: If your television is too tall for the TMBs to align with both the upper and lower set of mounting holes. Line up the TMBs with the closer mounting points and use spacers on the other mounting points to keep the mounting brackets parallel to the chassis.

5. The STUDIO SoundBar can be mounted on top or bottom of the FPTV. See **FIGURES 2 & 3**.

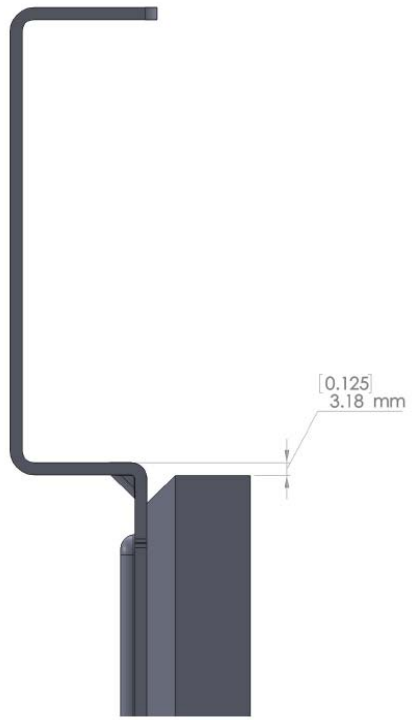


FIGURE 1



FIGURE 2



FIGURE 3

EXTENSION PLATE SELECTION BASED ON FPTV THICKNESS

6. Depending on the FPTV depth the use of Extension Plates will vary. Refer to the following; **TABLE 1** and **FIGURES 4-9**.

Figure	FPTV Thickness	Extension Plate	Minimum TV Wall Mount Bracket Depth
4 & 5	1.0 - 1.4"	No	1.0"
6 & 7	1.9 - 2.8"	Short	1.0"
8 & 9	2.7 - 3.6"	Long	1.0"

TABLE 1

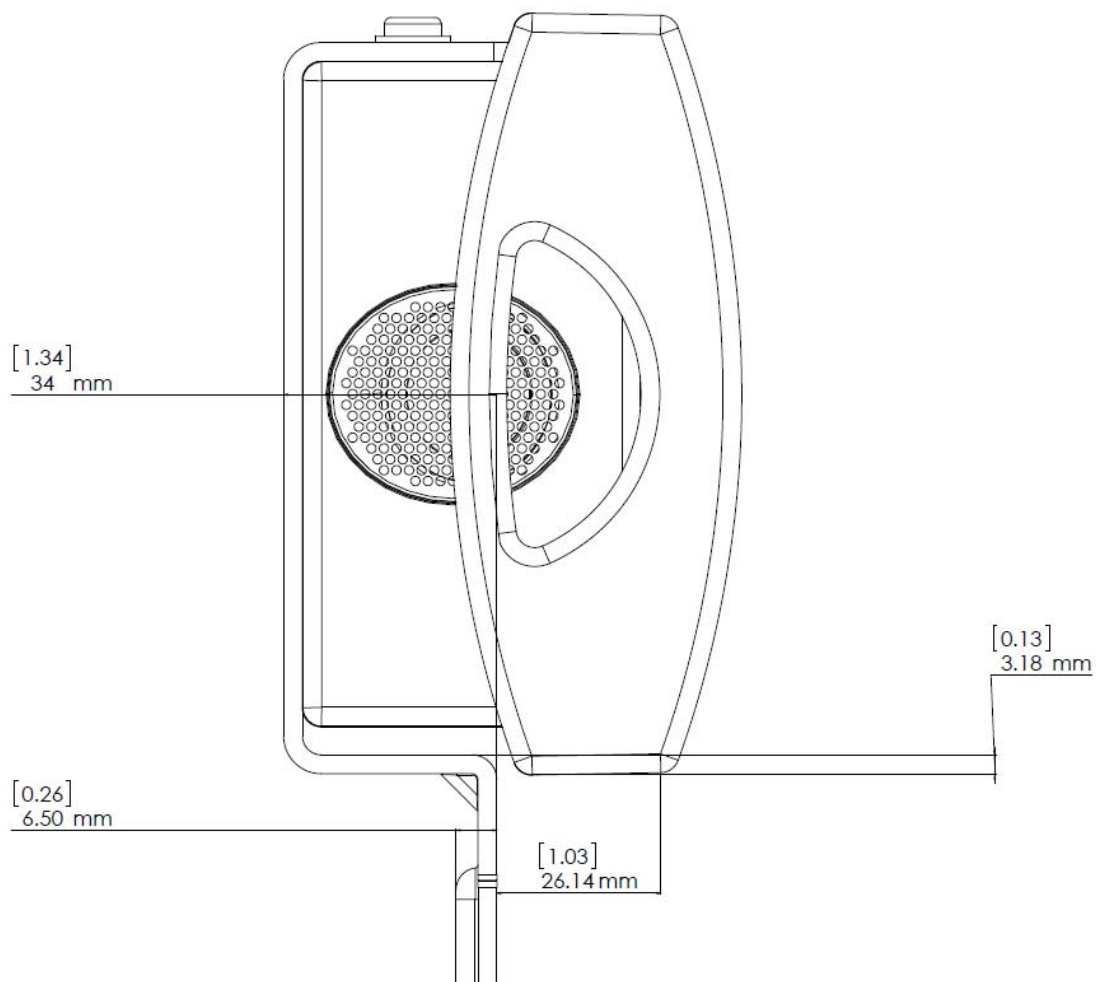


FIGURE 4

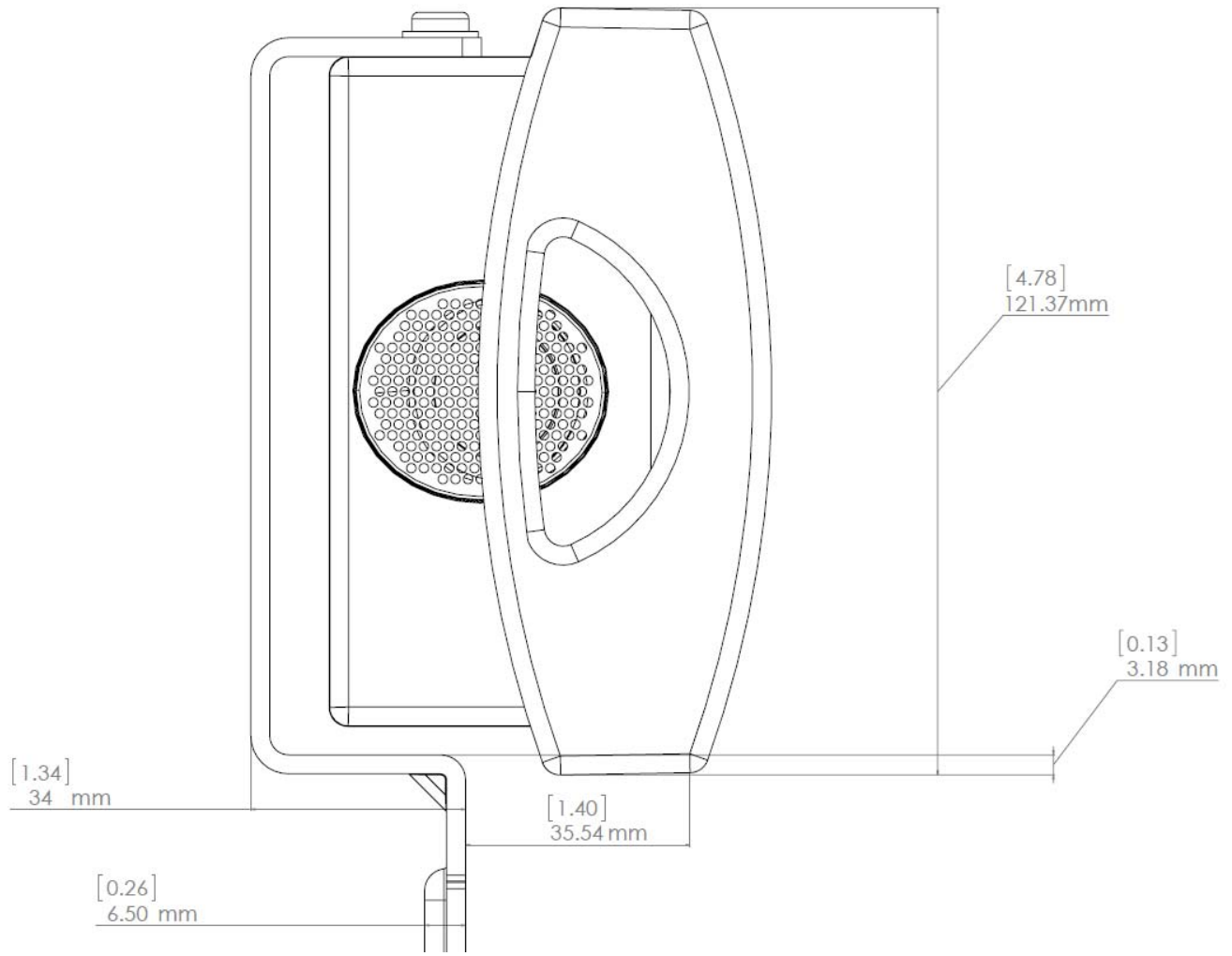


FIGURE 5

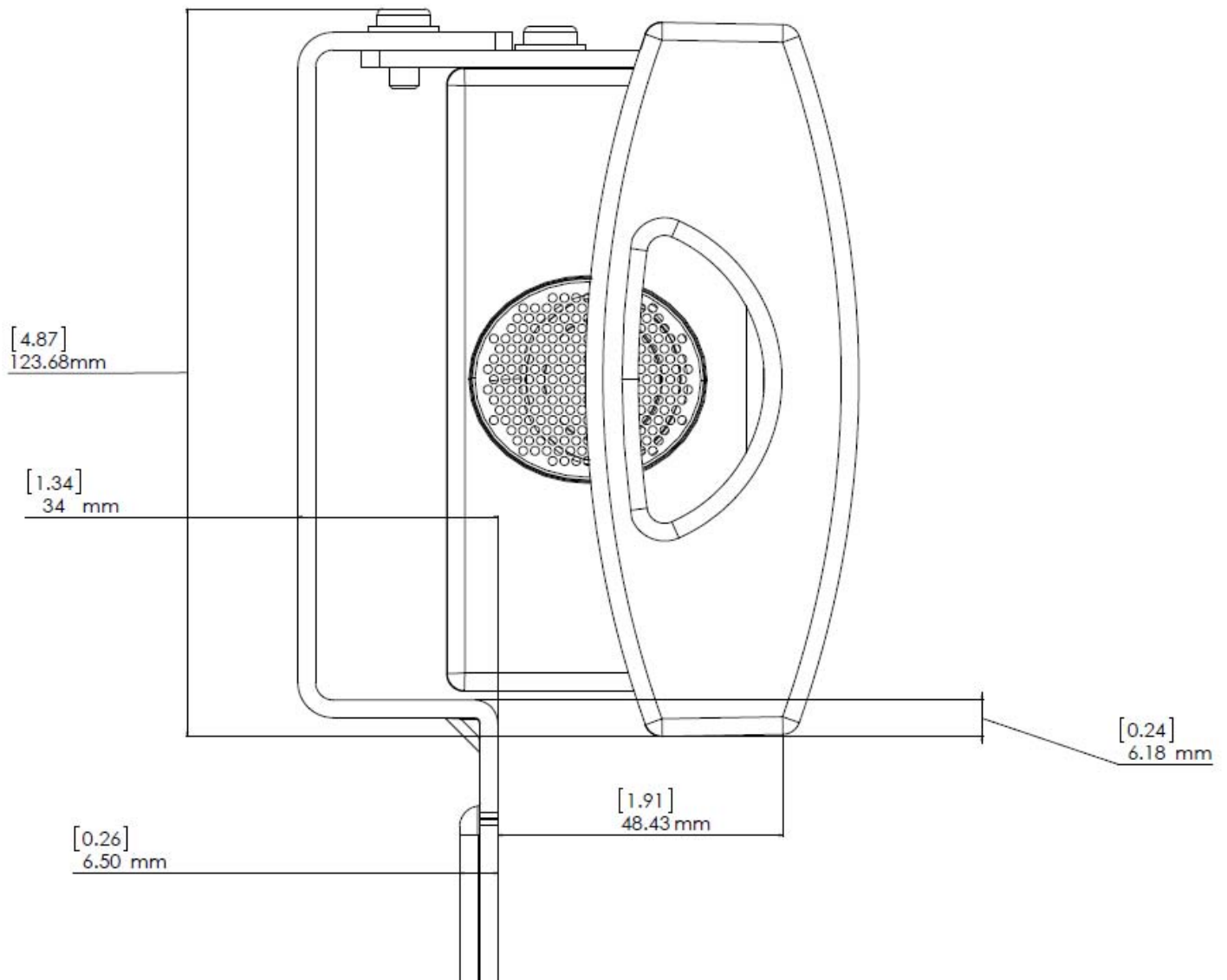


FIGURE 6

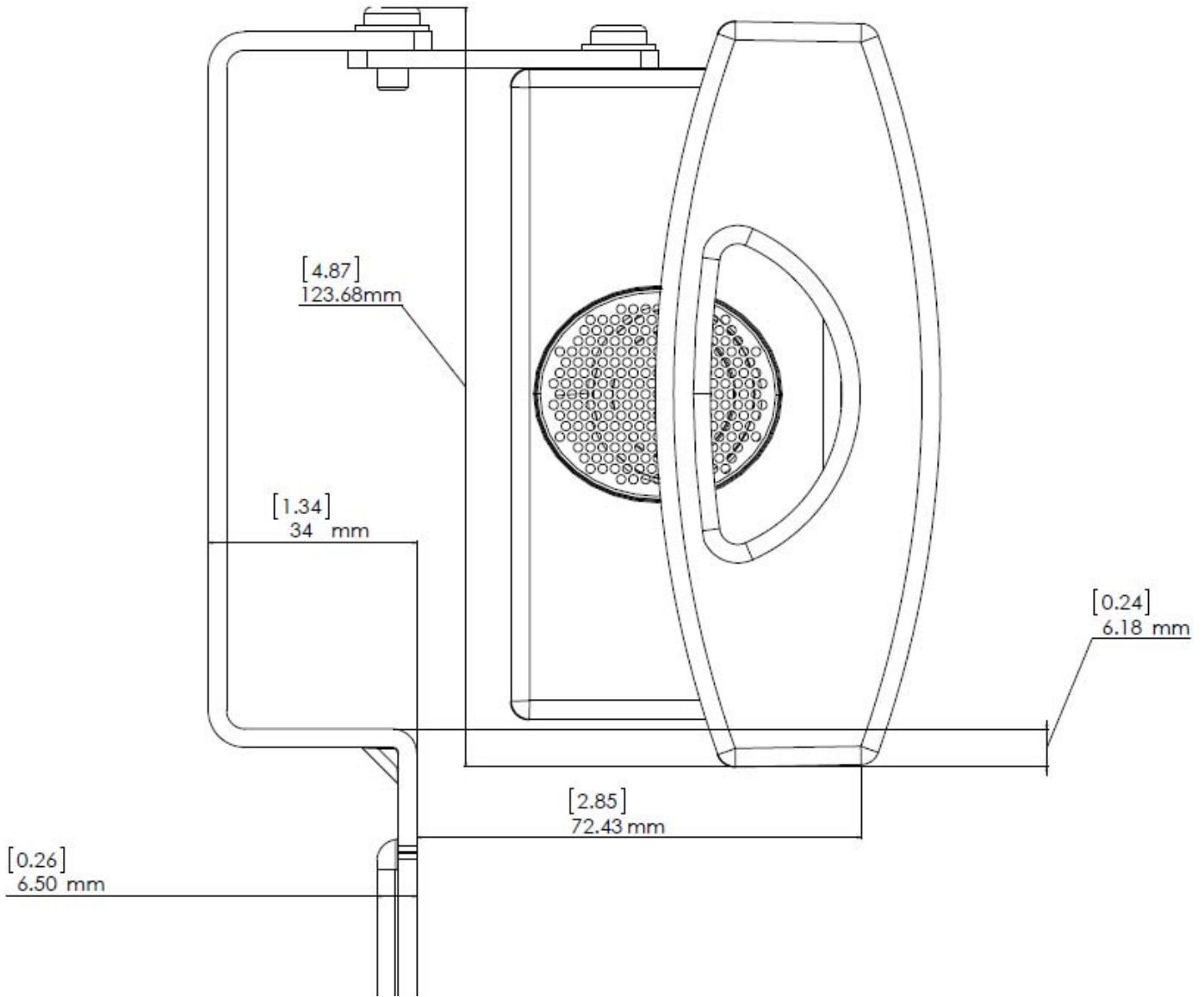


FIGURE 7

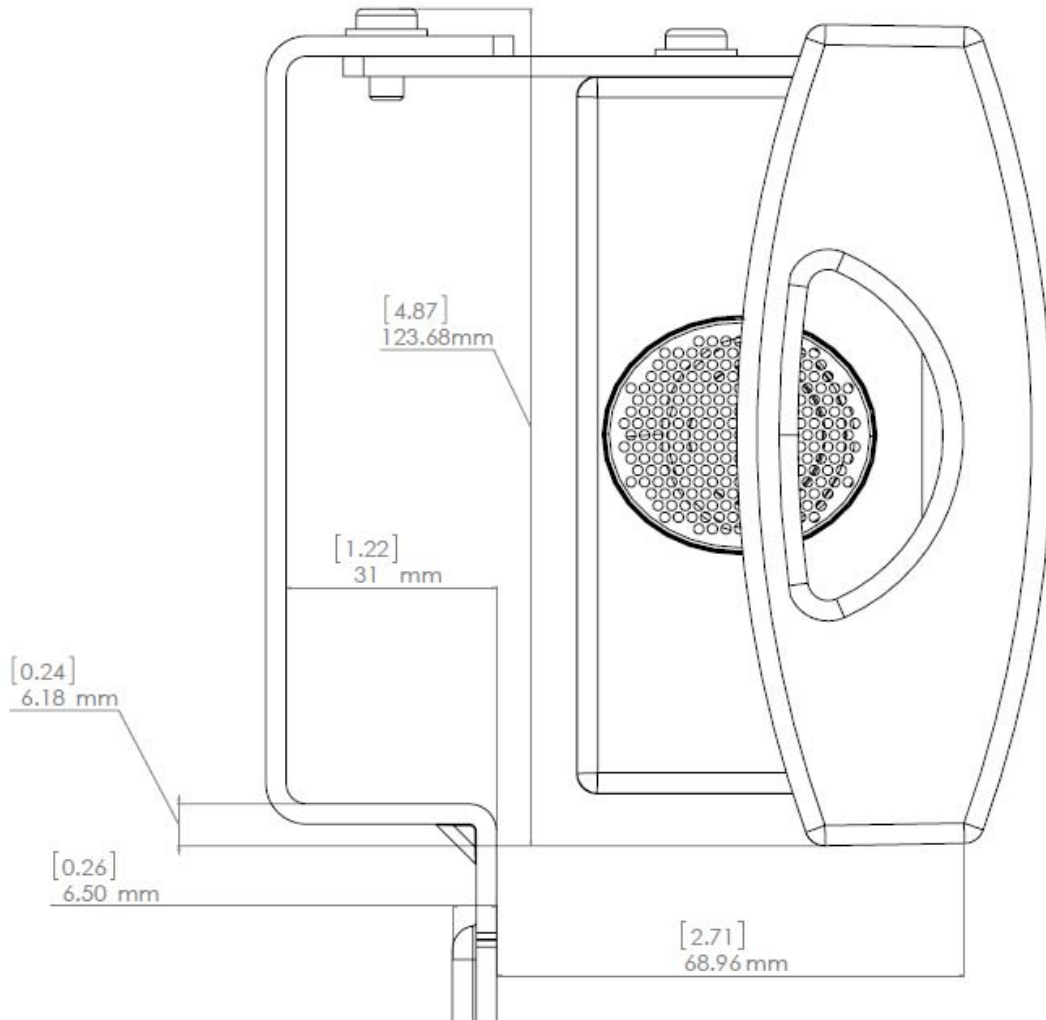


FIGURE 8

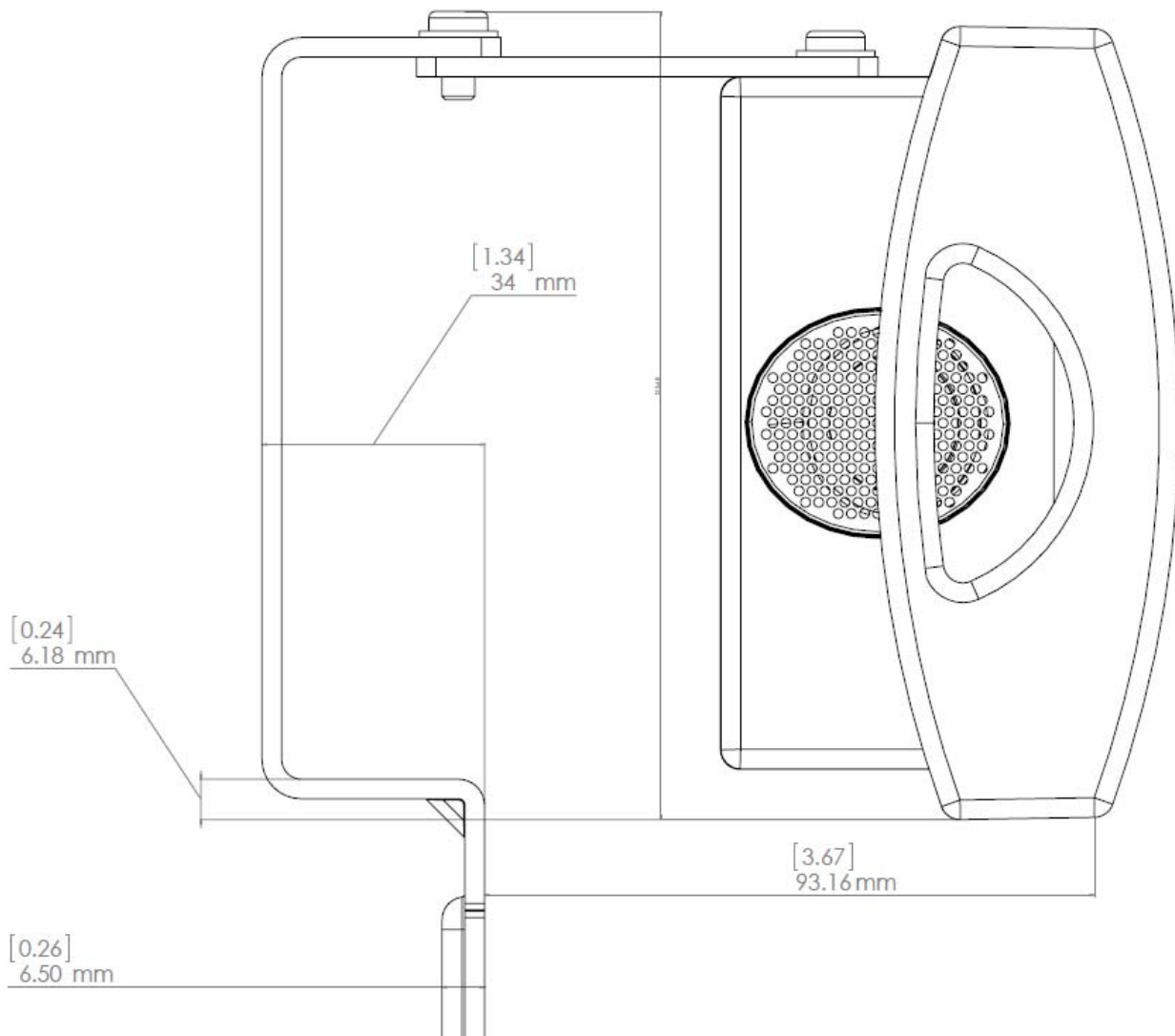


FIGURE 9

HARDWARE KIT

7. Mounting Screw Selection

7.1.1. Match the threads in the FPTV chassis to one from the kit.

Thread: M4, M5, M6, M8, or M10.

7.1.2. First, check the thread depth of the mounting points on the FPTV.

7.1.3. Using the Television Mounting Brackets (Depth = 6.5mm), third party wall-mount, and washers. Allow for 5 - 8 mm of screw threads into the FPTV chassis. Be sure to account for the maximum thread depth into the TV.

- 8.** Flat Washer: Select a washer that fits around the selected Mounting Screw.
- 9.** If applicable, place your wall mounting brackets that the television will be hung by on top of the Television Mounting Brackets.
- 10.** Then loosely thread the mounting screws thru all of the bracket assemblies.
- 11.** Tighten the screws on the rear of the television to hold all of the brackets in place on the chassis.
- 12.** You may now hang your FPTV on the wall, or place it onto the table stand.

MOUNTING THE SOUNDBAR TO THE TELEVISION MOUNTING BRACKETS

13. Using the correct accessories from **STEP 6** assemble the SoundBar to the Television Mounting Bracket using the B/B hardware and the 3 mm Allen Wrench. There are Two sliders in the cabinet that will accept these screws. Simple slide the sliders to meet the Television Mounting Brackets location.
14. Carefully adjust the speaker forward to sit just behind the bezel.
15. See **FIGURES 10 & 11**.

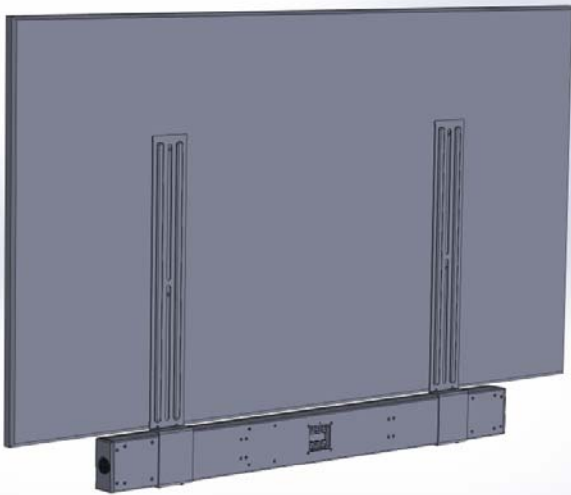


FIGURE 10

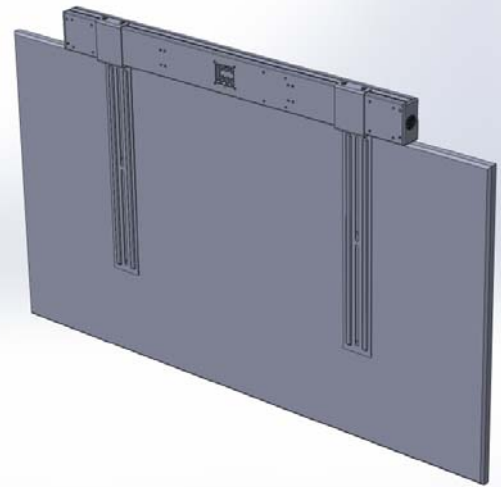


FIGURE 11

16. Attach the grille to the cabinet by slipping the grille around the cabinet. You will feel a click as the grille seats. See **FIGURES 12 & 13**.
17. Tighten the B/B hardware to hold the position.
18. Slide the grille Left or Right to align with the sides of the FPTV bezel.

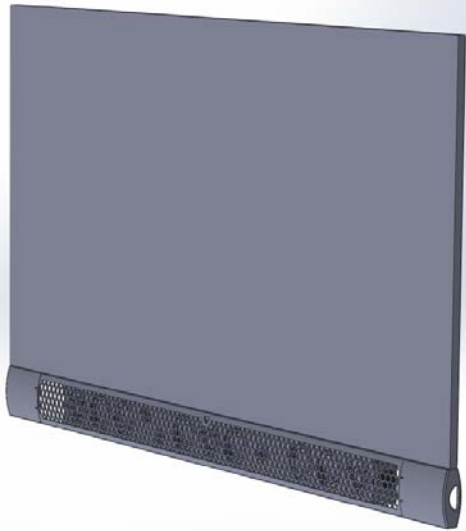


FIGURE 12

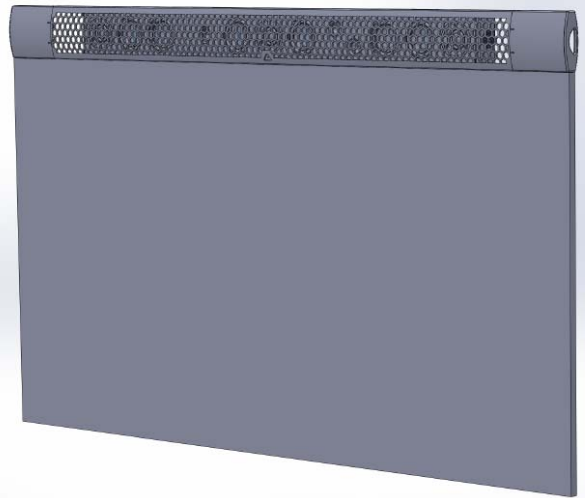


FIGURE 13

WIRING THE SOUNDBARS

3 CHANNEL METHOD (Left, Center and Right)

1. Operate the terminals by firmly pressing on them. An opening will be exposed in the side of the terminal. Slip about 9 mm (3/8") of bare speaker wire into this opening hole and release the terminal. The spring loaded terminal will now securely hold the wire in place.
2. Attach the three speaker wire pairs to the binding posts on the rear of the SoundBar. The red terminal is the positive terminal and the black terminal is the negative terminal. The outer sets of binding posts are Left and Right respectively and the center set of binding posts is the Center Channel.

NOTE: The SoundBar is a 3 channel (Left, Center and Right) passive loudspeaker device and requires 3 discrete audio signals from an external multi-channel amplifier. The speaker wire gauge required is dependent upon wire length run, 16 gauge is suggested as the minimum size. 12 gauge is the maximum that will fit into the terminals.

FINE TUNING YOUR STUDIO SOUNDBAR

Satellite / Subwoofer Crossover Frequencies:

STUDIO 39:

- 'SMALL' Speaker on A/V Receiver / Processor
- Left / Right Crossover Frequency: 100 Hz
- Center Crossover Frequency: 80 Hz

STUDIO 46:

- 'SMALL' Speaker on A/V Receiver / Processor
- Crossover Frequency: 80 Hz

STUDIO 55:

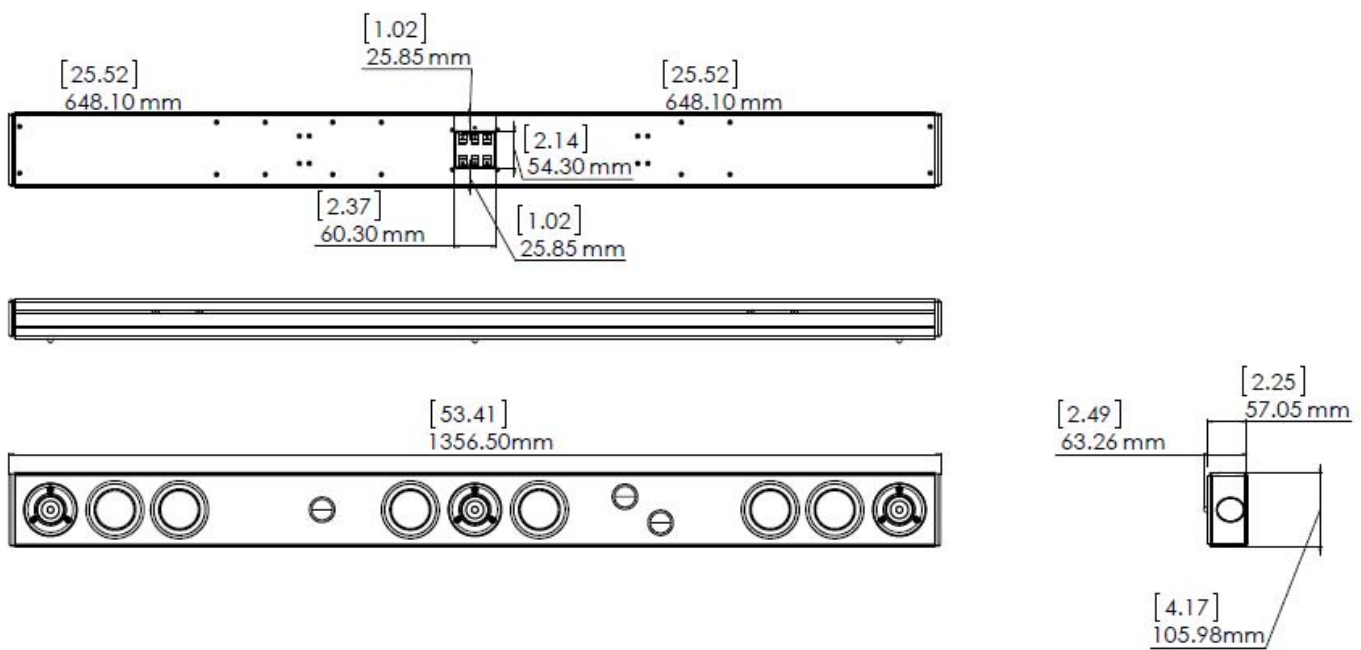
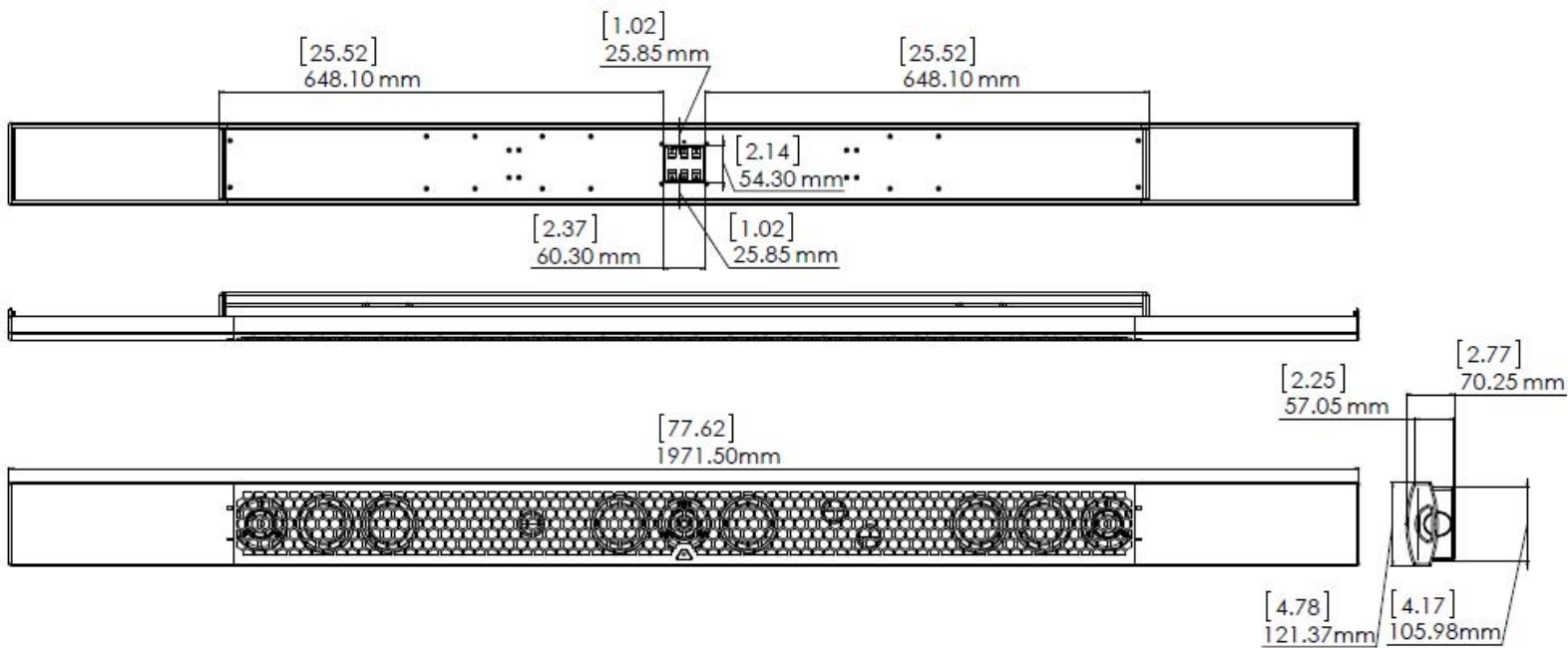
- 'SMALL' Speaker on A/V Receiver / Processor
- Crossover Frequency: 80 Hz

SPECIFICATIONS & DIMENSIONS:

Studio 55 SoundBar

STUDIO55-SB

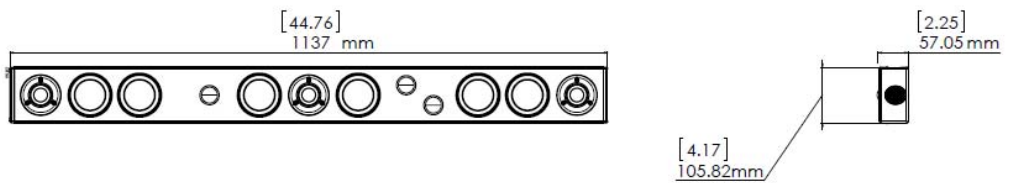
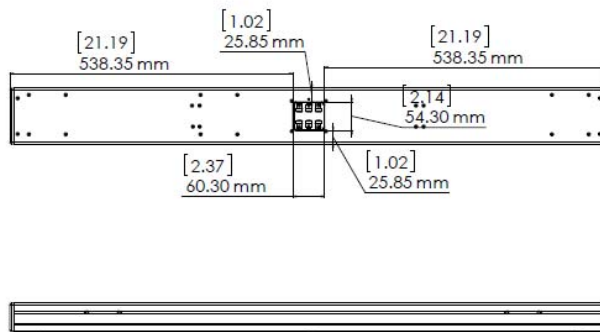
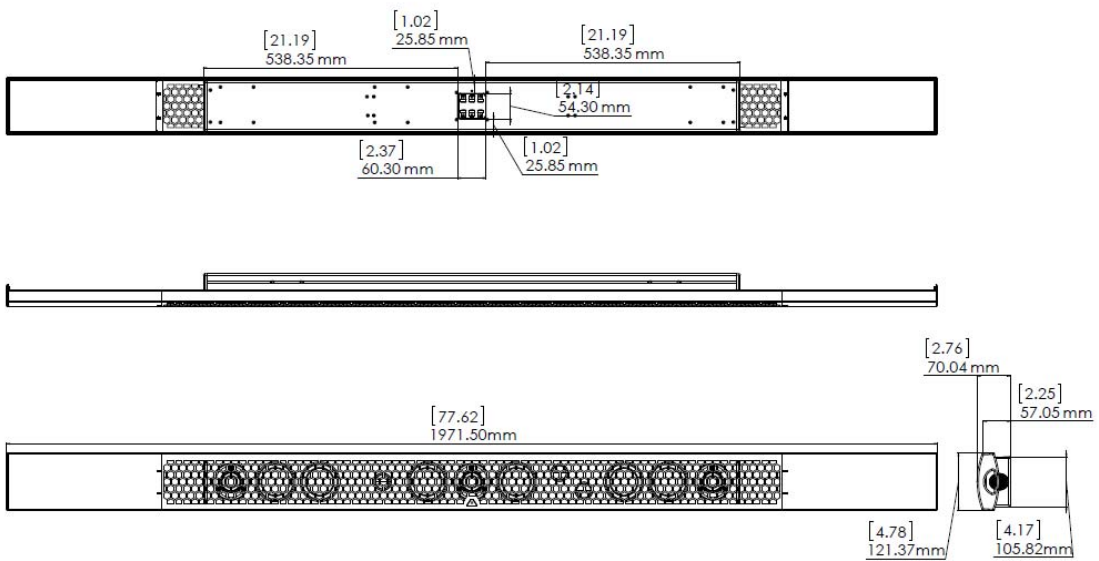
Dimensions:	4.1" x 53.4" x 2.2", HWD Overall 4.7" x CUSTOM" x 2.7", HWD w/ Minimum Grille For use with FPTV's: W ≥ 54.1"
Driver Complement:	6. 3½" Carbon Fiber, Long Throw, Midrange/Woofer 3. 25 mm XT25 Super Audio Tweeters 2. 19 mm Stage Tweeter
Cabinet / Finish:	Extruded Aluminum / Black Anodized; Grille Cloth available in Black or Light Grey
Frequency Response:	80 Hz – 50 kHz ± 3 dB
Recommended Power:	75 - 150 Watts
Nominal Impedance:	6 Ω
Sensitivity:	89 dB @ 2.83 Volts, 1 Meter
Enclosure Type:	Bass Reflex
System Weight:	31 lbs. (14 kg.) incl. Speaker, Mounting Hardware & Grille



Studio 46 SoundBar

STUDIO46-SB

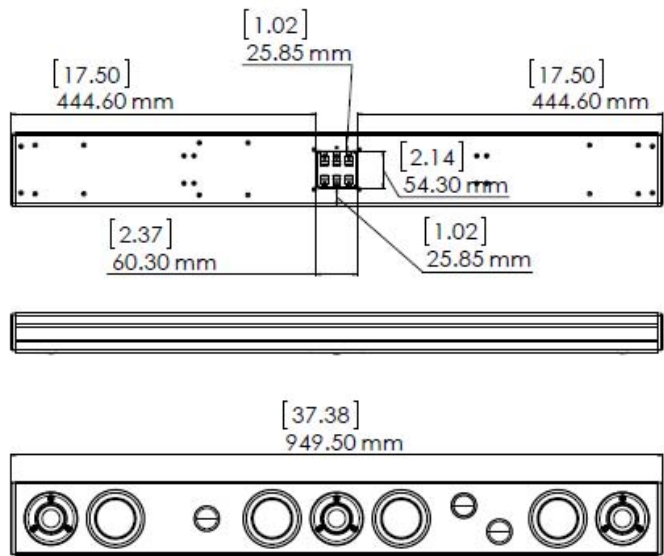
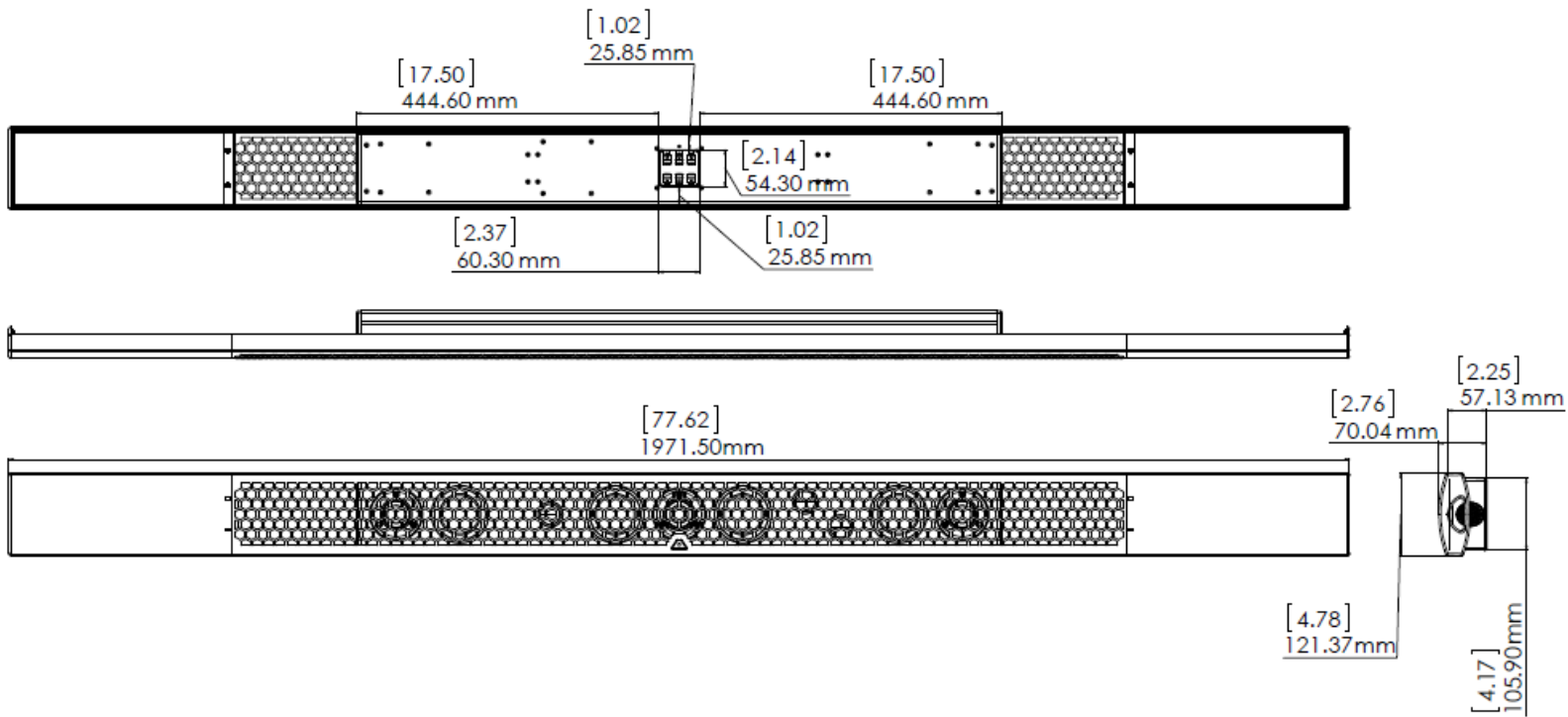
Dimensions:	4.1" x 44.7" x 2.2", HWD Overall 4.7" x CUSTOM" x 2.7", HWD w/ Minimum Grille For use with FPTV's: W ≥ 45.4"
Driver Complement:	6. 3½" Carbon Fiber, Long Throw, Midrange/Woofer 3. 25 mm DX25 Super Audio Tweeters 2. 19 mm Stage Tweeter
Cabinet / Finish:	Extruded Aluminum / Black Anodized; Grille Cloth available in Black or Light Grey
Frequency Response:	80 Hz – 40 kHz ± 3 dB
Recommended Power:	75 - 150 Watts
Nominal Impedance:	6 Ω
Sensitivity:	89 dB @ 2.83 Volts, 1 Meter
Enclosure Type:	Bass Reflex
System Weight:	28 lbs. (13 kg.) incl. Speaker, Mounting Hardware & Grille



Studio 39 SoundBar

STUDIO39-SB

Dimensions:	4.1" x 37.5" x 2.2", HWD Overall 4.7" x CUSTOM" x 2.7", HWD w/ Minimum Grille For use with FPTV's: W ≥ 38.0"
Driver Complement:	4. 3½" Carbon Fiber, Long Throw, Midrange/Woofer 3. 25 mm DX25 Super Audio Tweeters 2. 19 mm Stage Tweeter
Cabinet / Finish:	Extruded Aluminum / Black Anodized; Grille Cloth available in Black or Light Grey
Frequency Response:	Left / Right 100 Hz – 40 kHz ± 3 dB Center 80 Hz – 40 kHz ± 3 dB
Recommended Power:	Center 50 - 125 Watts Left / Right 50 – 100 Watts
Nominal Impedance:	6 Ω
Sensitivity:	89 dB @ 2.83 Volts, 1 Meter
Enclosure Type:	Bass Reflex
System Weight:	24 lbs. (11 kg.) incl. Speaker, Mounting Hardware & Grille



STUDIO GRILLE

Cloth Colors: Black and Light Grey

Dimensions: 4.75" x Custom to TV Width x 1.75", HWD
Minimum Width 38.0" for STUDIO39-SB
Minimum Width 45.4" for STUDIO46-SB
Minimum Width 54.1" for STUDIO55-SB

LIMITED WARRANTY

This warranty remains in effect for five years from the date of purchase for speaker products and one year for electronic products.

THIS WARRANTY PROTECTS THE ORIGINAL OWNER PROVIDING THAT THE PRODUCT HAS BEEN PURCHASED FROM AN AUTHORIZED ARTISON DEALER IN THE UNITED STATES. THE ORIGINAL BILL OF SALE MUST BE PRESENTED WHENEVER WARRANTY SERVICE IS REQUIRED. FOR WARRANTY SERVICE OUTSIDE THE UNITED STATES, CONTACT THE AUTHORIZED ARTISON DISTRIBUTOR IN THE COUNTRY WHERE THE PRODUCT WAS PURCHASED.

Except as specified below, this warranty covers all defects in material and workmanship. The following are not covered: Damage caused by accident, misuse, abuse, product modification or neglect, damage occurring during shipment, damage from failure to follow instructions contained in the Owners Manual, damage resulting from the performance of repairs by someone not authorized by Artison, or any claims based on misrepresentations by the seller. This warranty does not cover incidental or consequential damages. It does not cover the cost of removing or reinstalling the unit. **THIS WARRANTY IS VOID IF THE SERIAL NUMBER HAS BEEN REMOVED OR DEFACED, OR IS PURCHASED FROM AN UNAUTHORIZED DEALER ON THE INTERNET (WORLD WIDE WEB), MAIL ORDER, 800, 888, 877 TELEPHONE NUMBERS OR THROUGH A CATALOG.**

This warranty gives you specific legal rights. You may also have other rights, which vary from state to state. Some states do not allow the exclusion or limitation of incidental or consequential damages or limitations on how long an implied warranty lasts, so the above may not apply to you.

Please make note of the following information and retain for your record.

Product Name _____ Model Number _____

Store Name _____ Purchase Price _____

HOW TO OBTAIN SERVICE

Please call us at (775) 783-4770, or write to: ARTISON (Attention: Customer Service Department), 2231 Meridian Blvd, Suite 1, Minden, NV 89423.

We will promptly advise you of what action to take. We may direct you to an authorized Artison Service Center or ask you to send your speaker to the factory for repair. You will need to present the original bill of sale to establish the date of purchase. **PLEASE DO NOT SHIP YOUR ARTISON PRODUCT TO THE FACTORY FOR REPAIR WITHOUT PRIOR AUTHORIZATION. PLEASE DO NOT RETURN PRODUCT TO THE ABOVE ADDRESS, IT IS NOT A SERVICE LOCATION.** You are responsible for transporting your product for repair and for payment of any initial shipping charges. However, we will pay the return shipping charges if the repairs are covered under warranty.